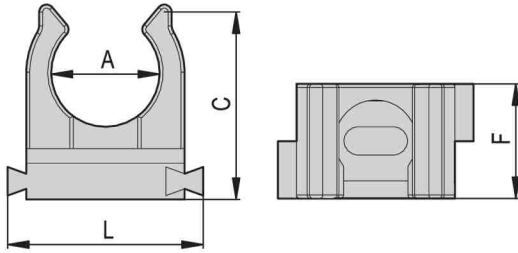


E-CLIP CONDUIT CLIP FOR CONDUIT AND PIPEWORK

- Description: Cables: Ø mini 16 – Ø maxi 50
Tubes IRL: Ø16 – Ø20 – Ø25 – Ø32 – Ø50
- Raw material: Polypropylen
- Color: Grey, RAL 7035
- Burning properties: Incandescent wire test according to CEI 695-2-1/2.: 650°C passed
- Installation temperature: T°C: -5°C / +35°C
- Working temperature: T°C: -30°C / +55°C



SPIT E-CLIP	A	C	F	L	code
D.16	14.7	26.9	16.1	27.1	567214
D.20	18.6	29.3		32.8	565032
D.25	23.5	35.5		39.1	565033
D.32	30.5	43.5		46.2	565034
D.50	48.5	58.5		64.4	567215

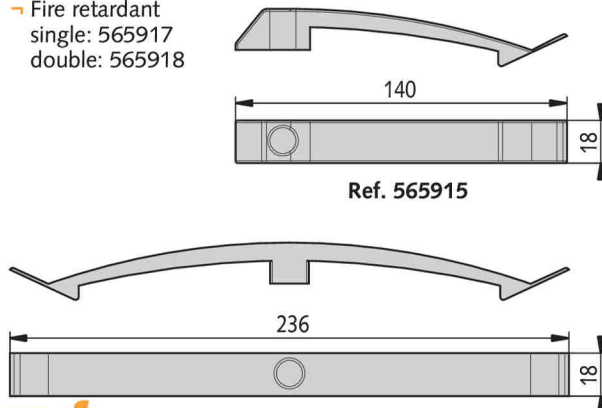
Pin selection guide

E-CLIP	C6-20	C6-25	C6-30	C6-35	HC6-15	HC6-17	HC6-22	HC6-27	HC6-32
Concrete C20/25			●					●	
Concrete C30/37		●					●	●	
Concrete C40/50							●		
Prestressed / Prefabricated concrete							●		
Solid brick			●	●				●	●
Hollow brick rendered			●	●				●	●
Hollow concrete block			●	●				●	●
Calcium silicate block			●	●				●	●
Steel					●	●			

Tool: P800E

SINGLE & DOUBLE CABLE BOWS: FOR LOW VOLTAGE CABLING AND TEMP LIGHTING

- Cables: 8 cables 3x1.5 (simple version)
16 cables 3x1.5 (double version)
- Raw material: Polypropylen copolymer
- Color: Grey, RAL 7035.
- Burning properties: Incandescent wire test according to CEI 695-2-1/2.: 650 °C passed
960 °C on fire version
- Installation temperature: T°C: -5 °C / +35 °C.
- Working temperature: T°C: -20 °C / +70 °C
- Fire retardant
single: 565917
double: 565918



Pin selection guide

CABLE BOWS	C6-20	C6-25	C6-30	C6-35	HC6-15	HC6-17	HC6-22	HC6-27	HC6-32
Concrete C20/25			●	●				●	●
Concrete C30/37			●				●	●	
Concrete C40/50							●		
Prestressed / Prefabricated concrete							●		
Solid brick			●	●				●	●
Hollow brick rendered			●	●				●	●
Hollow concrete block			●	●				●	●
Calcium silicate block			●	●				●	●
Steel						●	●		

Tool: P800E

RECOMMENDED LOAD AND DISPLACEMENT

Accessories	Failure load (kN)	Displacement at the failure load (mm)	Recommended load (kN) for a displacement equal to 1 mm for accessories $N_{rec} (d = 1 \text{ mm})$
Metal P-CLIP	0.30	13 mm	0.07
TIE-CLIP	0.30	4 mm	0.10
P-CLIP simple	0.22	10 mm	0.03
P-CLIP double	0.10	9 mm	0.06
CLIPLEC	0.60	22 mm	0.20
E-CLIP	0.04	1 mm	0.04
Single cable bows	0.10	16 mm	0.025
Double cable bows	0.16	16 mm	0.04
Drywall track	1.0	-	0.20
Wood sole plate with thickness 27 mm	1.2	-	0.16

Check that the embedment depth is adapted to the recommended load requested for the accessories.