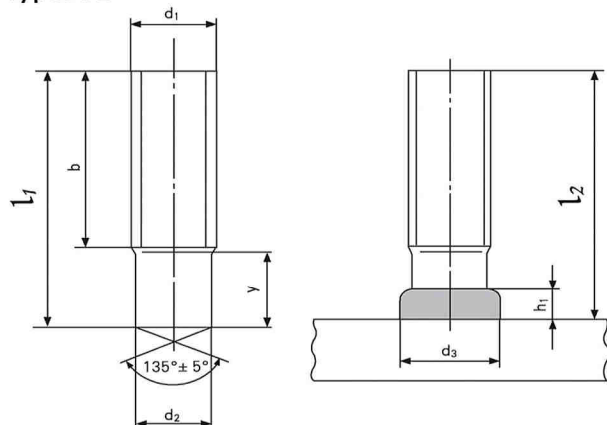


FICHA TECNICA

PERNO STUD ROSCADO



Drawn Arc Threaded Stud
 According to standard EN ISO 13918
 Type: PD



*** Dimensions**

d ₁	M6	M8	M10	M12	M16	M20
d ₂	5.35	7.19	9.03	10.86	14.70	18.38
d ₃	8.50	10.00	12.50	15.50	19.50	24.50
h ₁	3.50	3.50	4.00	4.50	6.00	7.00
y _{min}	9.00	9.00	9.50	10.00	13.50	15.50
l ₁	15~30	20~50	20~50	25~60	30~160	35~70
Ferrule	PF6	PF8	PF10	PF12	PF16	PF20

*** Material**

Material	Mild Steel C ≤0.16% Mn ≤0.42% Si ≤0.05% S ≤0.05% P ≤0.011%	Stainless Steel SS304 /SS316
Mechanical Properties	Yield point (R _{eH}) ≥340N/mm ² Tensile strength (R _m) ≥420N/mm ² Elongation (A5) ≥14%	Yield point (R _{eH}) ≥210N/mm ² Tensile strength (R _m) ≥500N/mm ² Elongation (A5) ≥25%
Surface Treatment	Non	Non
Aluminium Arc Tip	Standard	Available upon request

When inquiring or ordering, specify

1. Type.....PD
2. Diameter.....
3. Length (LBW).....
4. Material.....

Example.

Sinoars welding stud type PD, M10x40, SS304

* Other dimensions and special parts are available on request.