

# FICHA TECNICA

## CRAMICA PARA CONCTOR STUD

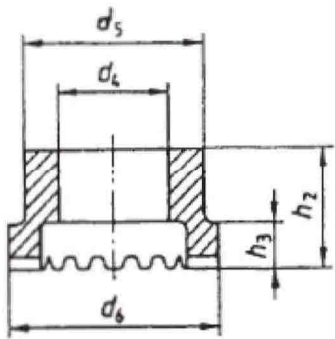


### Ceramic Ferrule

According to standard EN ISO 13918

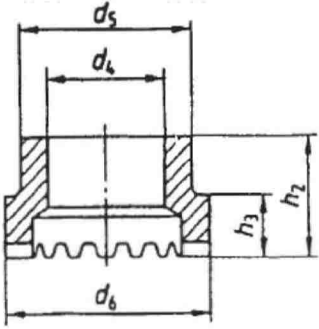
#### 1. Type PF for threaded stud

Type	$d_4$	$d_5$ $\pm 1$	$d_6$ $\pm 1$	$h_2$ $\approx$	$h_3$ $\approx$
PF6	$5.6^{+0.5}$	9.5	11.5	6.5	3.3
PF8	$7.4^{+0.5}$	11.5	15	6.5	4.5
PF10	$9.2^{+0.5}$	15	17.8	6.5	4.5
PF12	$11.1^{+0.5}$	16.5	20	9	5.5
PF16	$15.0^{+0.5}$	20	26	10	7
PF20	$18.6^{+0.5}$	30.7	33.8	11	6
PF24	$22.4^{+1}$	30.7	38.5	18.5	14



#### 2. Type UF for unthreaded stud and shear connector

Type	$d_4^{+0.5}$	$d_5^{\pm 1}$	$d_6^{\pm 1}$	$h_2 \approx$	$h_3 \approx$
UF6	6.2	9.5	11.5	8.7	4.7
UF8	8.2	11	15	8.7	4.7
UF10	10.2	15	17.8	10	5.2
UF12	12.2	16.5	20	10.7	6
UF13	13.1	20	22.2	11	6.5
UF16	16.3	26	30	13	8.5
UF19	19.4	26	30.8	16.7	12
UF22	22.8	30.7	39	18.6	14
UF25	26	35.5	41	21	16.5



#### 3. Type RF for thread stud with reduced shaft

Type	$d_4^{+0.4}$	$d_5^{\pm 1}$	$d_6^{\pm 1}$	$h_2 \approx$	$h_3 \approx$
RF6	6.2	9.5	16.2	10	6
RF8	8.2	12	15.3	9	5.5
RF10	10.2	15	18.5	11.5	7.5
RF12	12.2	17	20	13	8
RF16	16.3	20.5	26.5	15.3	10.8
RF20	17.5	26.2	32	22	11.5

