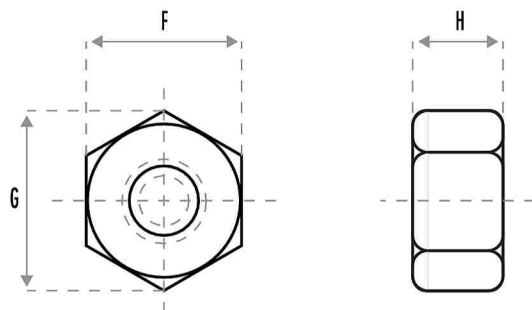


FICHA TECNICA

TUERCA HEXAGONAL A563 DH



DIMENSIONES TUERCAS REFORZADAS NORMA ASME B18.2.2 2010

Diámetro nominal		F			G		H		
		Distancia entre caras			Distancia entre aristas		Altura de la tuerca		
		Basic	Max	Min	Max	Min	Basic	Max	Min
1/4	0.2500	1/2	0.500	0.488	0.577	0.556	15/64	0.250	0.218
5/16	0.3125	9/16	0.562	0.546	0.650	0.622	19/64	0.314	0.280
3/8	0.3750	11/16	0.688	0.669	0.794	0.763	23/64	0.377	0.341
7/16	0.4375	3/4	0.750	0.728	0.866	0.830	27/64	0.441	0.403
1/2	0.5000	7/8	0.875	0.850	1.010	0.969	31/64	0.504	0.464
9/16	0.5625	15/16	0.938	0.909	1.083	1.037	35/64	0.568	0.526
5/8	0.6250	1-1/16	1.062	1.031	1.227	1.175	39/64	0.631	0.587
3/4	0.7500	1-1/4	1.250	1.212	1.443	1.382	47/64	0.758	0.710
7/8	0.8750	1-7/16	1.438	1.394	1.660	1.589	55/64	0.885	0.833
1	1.0000	1-5/8	1.625	1.575	1.876	1.796	63/64	1.012	0.956
1-1/8	1.1250	1-13/16	1.812	1.756	2.093	2.002	1-7/64	1.139	1.079
1-1/4	1.2500	2	2.000	1.938	2.309	2.209	1-7/32	1.251	1.187
1-3/8	1.3750	2-3/16	2.188	2.119	2.526	2.416	1-11/32	1.378	1.310
1-1/2	1.5000	2-3/8	2.375	2.300	2.742	2.622	1-15/32	1.505	1.433
1-5/8	1.6250	2-9/16	2.562	2.481	2.959	2.828	1-19/32	1.632	1.556
1-3/4	1.7500	2-3/4	2.750	2.662	3.175	3.035	1-23/32	1.759	1.679
1-7/8	1.8750	2-15/16	2.938	2.844	3.392	3.242	1-27/32	1.886	1.802
2	2.0000	3-1/8	3.125	3.025	3.608	3.449	1-31/32	2.013	1.925
2-1/4	2.2500	3-1/2	3.500	3.388	4.041	3.862	2-13/64	2.251	2.155
2-1/2	2.5000	3-7/8	3.875	3.750	4.474	4.275	2-29/64	2.505	2.401
2-3/4	2.7500	4-1/4	4.250	4.112	4.907	4.688	2-45/64	2.759	2.647
3	3.0000	4-5/8	4.625	4.475	5.340	5.102	2-61/64	3.013	2.893
3-1/4	3.2500	5	5.000	4.838	5.774	5.515	3-3/16	3.252	3.124
3-1/2	3.5000	5-3/8	5.375	5.200	6.207	5.928	3-7/16	3.506	3.370
3-3/4	3.7500	5-3/4	5.750	5.562	6.640	6.341	3-11/16	3.760	3.616
4	4.0000	6-1/8	6.125	5.925	7.073	6.755	3-15/16	4.014	3.862

REQUERIMIENTOS MECÁNICOS TUERCAS GRADO A y DH ASTM A563 2007a

Grado de la tuerca	Tamaño de la tuerca	Tipo de tuerca	Prueba de carga Ksi		Dureza			
			Tuerca sin recubrimiento Zinc	Tuerca Zincada	Brinell		Rockwell	
					Min	Max	Min	Max
Tuercas con paso de hilo UNC, 8UN, 6UN								
A	1/4 a 4	tuerca ref.	100	75	116	302	B68	C32
DH	1/4 a 4	tuerca ref.	175	150	248	352	C24	C38

COMPOSICIÓN QUÍMICA PARA TUERCAS GRADO A y DH ASTM A563 2007a

Grado de la tuerca	Composición %				
	Análisis	Carbon	Manganeso min	Fósforo max	Azufre max
A	heat product	0.55 max	--	0.12	0.15
		0.58 max	--	0.13	--
DH	heat product	0.20-0.55	0.60	0.04	0.05
		0.16-0.58	0.57	0.04B	0.058